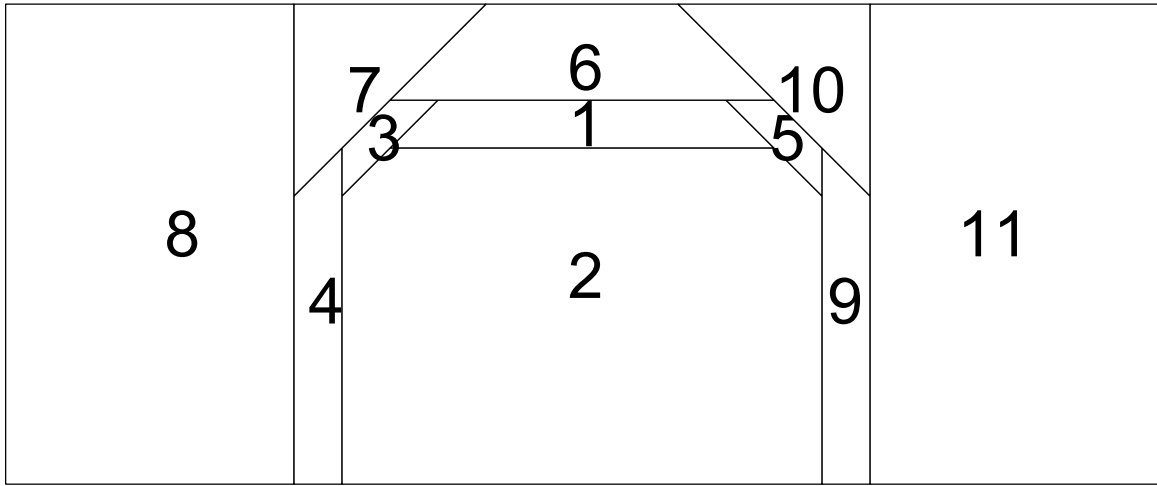


Purse 1

Purse 1 Unit: A



Purse 1 Unit: B

